

The SN water heater is suitable for domestic and commercial use. Its a **NON-PRESSURE** appliance for above basin installation, with our mixer-tap (VL/WKM), as the mixer tap relieves over-pressure, via a drip into basin from spout when unit is heating up, drip will stop when tank is up to temperature.

Storage water heaters in a new design with a white plastic housing and black temperature scale display.

The water heater features a **INNER PLASTIC TANK, 2KW ELEMENT (MADE OF COPPER), DURABLE PLASTIC HOUSING (WHITE), CFC FREE THERMAL INSULATION.**

The water temperature is maintained at the set temperature by means of a thermostat. The thermostat range approx. 35°C to 85°C with energy-saving setting, Temperature limitation possible at 45/55/65°C and a anti-freeze setting in off position. The appliance incorporates a safety - thermal cut out, to prevent overheating (thus protecting the element from damage).

Protection type: Splash-Proof (IP24).

**N.B.** - Water connections on boiler :

- Right (Blue) = cold water connection
- Left (Red) = hot water connection

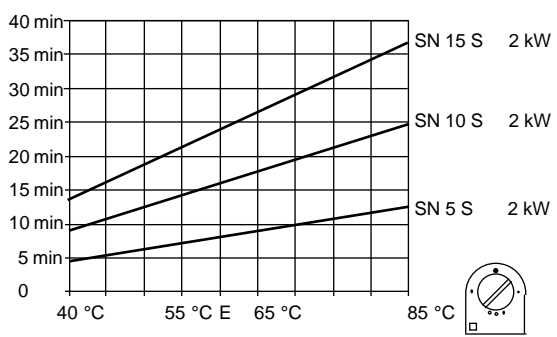
If you confuse theses connection the water heater will not function.

- Appliance must be earthed.

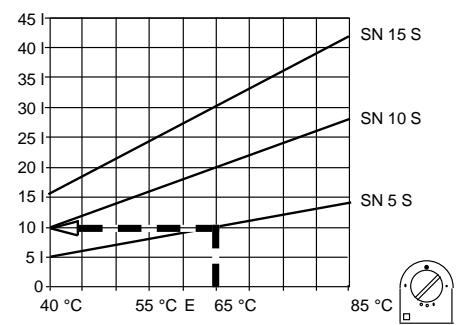
- **DO NOT CONNECT THE POWER BEFORE THE TANK IS FULL,** because the element will overheat causing the thermal cut out to pop its reset switch, cutting all power to unit, it can be reset by opening up unit and resetting the reset switch (brown button on thermal cut out), you run the same risk if the water flow (cold) has been shutoff (closed) at mains.

- SN series of water heaters can

**ONLY TO BE CONNECTED TO A STIEBEL ELTRON MIXER TAP!**



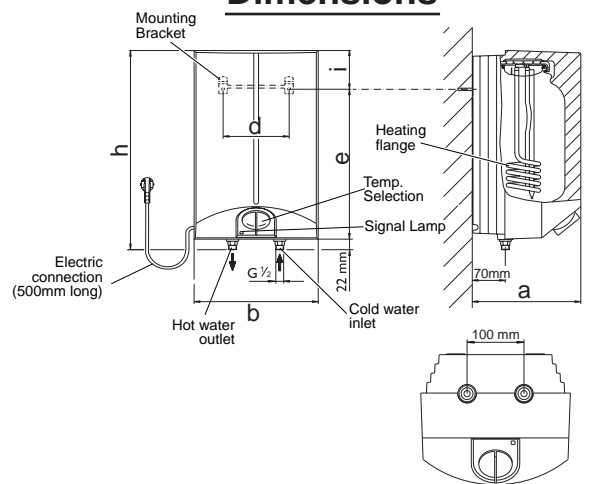
Setting the temperature (with thermostat) will give you a rise in mixed water volume, as shown in the diagram to the right.



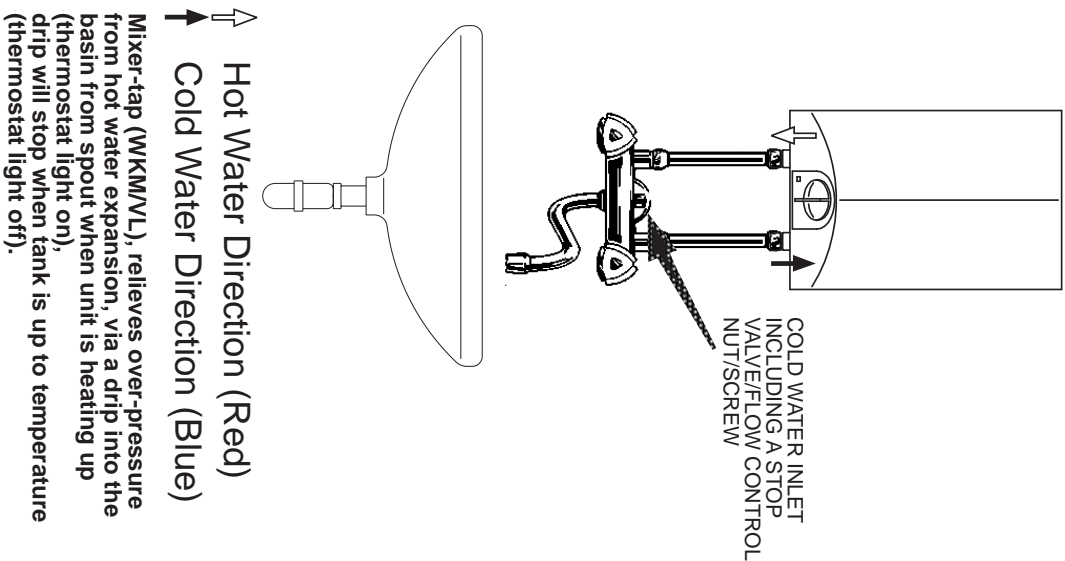
If the entire volume of stored water is drawn off, recovery time as shown above.

- N.B. - DO NOT CONNECT POWER BEFORE TANK IS FULL (OF WATER) !!**
- **UNIT MUST BE EARTHED !**
  - **HOT AND COLD PIPES IN CORRECT POSITION,** On the geyser "Blue arrow" cold water connection and "Red arrow" hot water connection.
  - **ONLY TO BE CONNECTED TO A STIEBEL ELTRON MIXER TAP!**

**Dimensions**



**INSTALLATION DIAGRAM**



Model	SN 5 S	SN 10 S	SN 15 S
Capacity L	5	10	15
Dimensions			
a mm	230	275	295
b mm	263	295	316
d mm	140	200	200
e mm	303	387	495
h mm	422	503	600
i mm	119	116	105
Design	open		
Weight kg	3,2	5,1	6,8