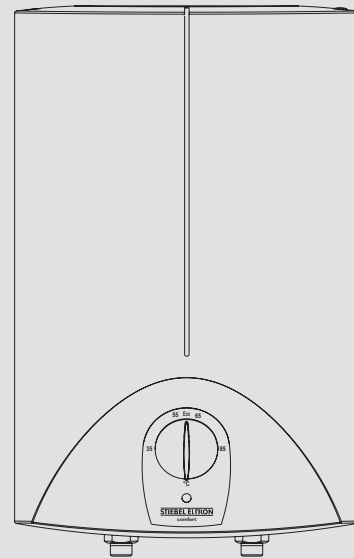


GEBRAUCHS- UND MONTAGEANLEITUNG
OPERATING AND INSTALLATION INSTRUCTIONS
NOTICE D'UTILISATION ET DE MONTAGE
GEBRUIKS- EN MONTAGEAANWIJZING
INSTRUKCJA OBSŁUGI I MONTAŻU
NÁVOD K POUŽITÍ A K MONTÁŽI
KEZELÉSI ÉS SZERELÉSI UTASÍTÁS
ИНСТРУКЦИЯ ПО МОНТАЖУ И ЭКСПЛУАТАЦИИ

OFFENER (DRUCKLOSER) WARMWASSERSPEICHER | OPEN (PRESSURELESS) WATER HEATER |
CHAUFFE-EAU OUVERT (A ÉCOULEMENT LIBRE) | OPEN (DRUKLOZE) WARMWATERBOILER |
POJEMNOŚCIOWE, BEZCIŚNIENIOWE OGRZEWACZE WODY | BEZTLAKOVÝ ZÁSOBNÍKOVÝ
OHŘÍVAČ TEPLÉ VODY | NYITOTT (NYOMÁS NÉLKÜLI) MELEGVÍZ TÁROLÓ | ОТКРЫТЫЙ
(БЕЗНАПОРНЫЙ) НАКОПИТЕЛЬНЫЙ ВОДОНАГРЕВАТЕЛЬ

- » SN 5 SL | SN 5 SLi comfort
- » SN 10 SL | SN 10 SLi comfort
- » SN 15 SL | SN 15 SLi comfort



STIEBEL ELTRON

Technik zum Wohlfühlen

Inhaltsverzeichnis

1. Gebrauchsanleitung	4
1.1 Gerätebeschreibung	4
1.2 Das Wichtigste in Kürze	4
1.3 Bedienung	4
1.4 Wichtige Hinweise	4
1.5 Pflege und Wartung	4
1.6 Was tun wenn ... ?	4
1.7 Sonderzubehör	4
2. Montageanleitung	5
2.1 Geräteaufbau	5
2.2 Gerätebeschreibung	5
2.3 Technische Daten	5
2.4 Vorschriften und Bestimmungen	5
2.5 Wichtiger Hinweis	5
2.6 Montageort	5
2.7 Gerätemontage	5
2.8 Erstinbetriebnahme	5
2.9 Servicehinweise	5
3. Störungsbeseitigung	6
4. Umwelt und Recycling	6
5. Kundendienst und Garantie	7

List of contents

1. Operating Instructions	8
1.1 Description of Unit	8
1.2 The most important points in brief	8
1.3 Operation	8
1.4 Important Note	8
1.5 Care and Maintenance	8
1.6 What to do if....	8
1.7 Special accessories	8
2. Installation Instructions	9
2.1 Unit Type	9
2.2 Description of Unit	9
2.3 Technical Data	9
2.4 Regulations and Conditions	9
2.5 Important Notes	9
2.6 Installation Site	9
2.7 Unit Installation	9
2.8 First Use	9
2.9 Service Notes	9
3. Fault Repair	10
4. Environment and recycling	10
5. Guarantee	10

Sommaire

1. Instructions d'utilisation à l'usage	11
1.1 Description de l'appareil	11
1.2 Sommaire des informations essentielles	11
1.3 Utilisation	11
1.4 Observations importantes	11
1.5 Entretien et maintenance	11
1.6 Que faire si ... ?	11
1.7 Accessoires spécifiques	11
2. Instructions de montage	12
2.1 Composants de l'appareil	12
2.2 Description de l'appareil	12
2.3 Caractéristiques techniques	12
2.4 Normes et réglementations	12
2.5 Remarque importante	12
2.6 Lieu de montage	12
2.7 Montage de l'appareil	12
2.8 Première mise en service	12
2.9 Instructions de maintenance	12
3. Dépannage	13
4. Environment et recyclage	13
5. Garantie	13

Inhoudsopgave

1. Gebruiksaanwijzing	14
1.1 Beschrijving van het toestel	14
1.2 In kort bestek	14
1.3 Bediening	14
1.4 Belangrijke instructies	14
1.5 Reiniging en onderhoud	14
1.6 Wat te doen, indien ... ?	14
1.7 Speciale accessoires	14
2. Montageaanwijzing	15
2.1 Opbouw van het toestel	15
2.2 Beschrijving van het toestel	15
2.3 Technische gegevens	15
2.4 Voorschriften en bepalingen	15
2.5 Belangrijke instructies	15
2.6 Plaats van montage	15
2.7 Montage van het toestel	15
2.8 Eerste inbedrijfsname	15
2.9 Service-instructies	15
3. Verhelpen van storingen	16
4. Milieu en recycling	16
5. Garantie	16

Spis treści

1. Instrukcja obsługi	20
1.1 Opis urządzenia	20
1.2 Ważne wskazówki w skrócie	20
1.3 Obsługa	20
1.4 Ważna wskazówka	20
1.5 Konserwacja i czyszczenie	20
1.6 Co robić, gdy ... ?	20
1.7 Sprzęt dodatkowy	20
2. Instrukcja montażu	21
2.1 Budowa urządzenia	21
2.2 Opis urządzenia	21
2.3 Dane techniczne	21
2.4 Przepisy i zalecenia	21
2.5 Ważne wskazówki	21
2.6 Miejsce montażu urządzenia	21
2.7 Montaż urządzenia	21
2.8 Pierwsze uruchomienie	21
2.9 Wskazówki serwisowe	21
3. Usuwanie usterek	22
4. Środowisko naturalne i recykling	22
5. Gwarancja	22

Obsah

1. Návod k použití	24
1.1 Popis přístroje	24
1.2 Nejdůležitější informace ve zkratce	24
1.3 Obsluha	24
1.4 Důležité pokyny	24
1.5 Ošetřování a údržba	24
1.6 Co dělat, když ... ?	24
1.7 Zvláštní příslušenství	24
2. Instrukce k montáži	25
2.1 Konstrukce přístroje	25
2.2 Popis přístroje	25
2.3 Technická data	25
2.4 Předpisy a ustanovení	25
2.5 Důležité pokyny	25
2.6 Montážní místo	25
2.7 Montáž přístroje	25
2.8 První uvedení do provozu	25
2.9 Pokyny pro servis	25
3. Odstraňování závad	26
4. Ekologie a recyklace	26
5. Záruční podmínky	26

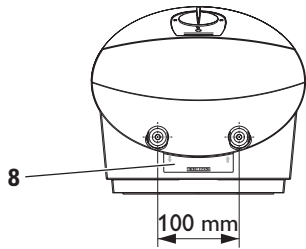
Tartalomjegyzék

1. Kezelési utasítás	28
1.1 A készülék leírása	28
1.2 A legfontosabbak röviden	28
1.3 Kezelés	28
1.4 Fontos figyelmeztetések	28
1.5 Tisztítás és karbantartás	28
1.6 Mit tegyenek, ha...	28
2. Szerelési utasítás	29
2.1 A készülék felépítése	29
2.2 A készülék leírása	29
2.3 Műszaki adatok	29
2.4 Előírások és meghatározások	29
2.5 Fontos figyelmeztetések	29
2.6 A felszerelés helye	29
2.7 A készülék felszerelése	29
2.8 Első üzembe helyezés	29
2.9 Szervizelőírások	29
3. Hibaelhárítás	30
4. Környezet és újrahasznosítás	30
5. Garancia	30

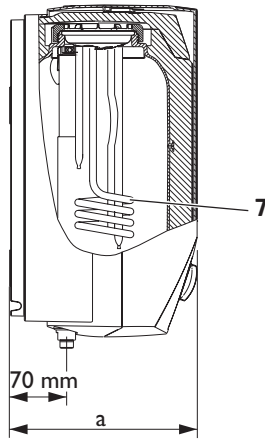
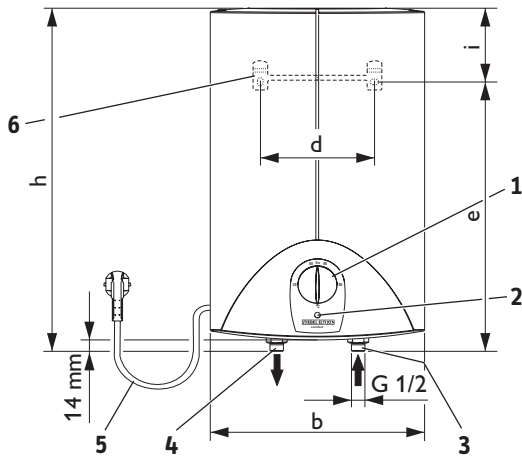
Содержание

1. Инструкция по эксплуатации	31
1.1 Описание прибора	31
1.2 Коротко о самом важном	31
1.3 Управление	31
1.4 Важные указания	31
1.5 Уход и техническое обслуживание	31
1.6 Что делать, если ... ?	31
1.7 Специальные принадлежности	31
2. Инструкция по монтажу	32
2.1 Конструкция прибора	32
2.2 Описание прибора	32
2.3 Технические характеристики	32
2.4 Предписания и определения	32
2.5 Важные указания	32
2.6 Место монтажа	32
2.7 Монтаж прибора	32
2.8 Первый ввод в эксплуатацию	32
2.9 Указания по сервисному обслуживанию	32
3. Устранение неисправностей	33
4. Окружающая среда и вторсырьё	33
5. Гарантия	33

A

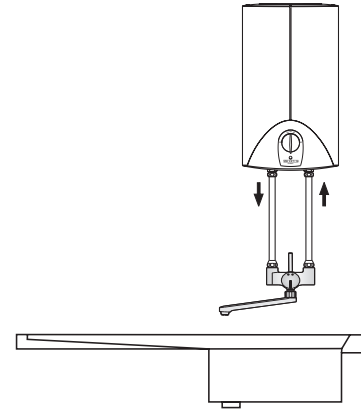


Typ	SN 5 SL SN 5 SLi	SN 10 SL SN 10 SLi	SN 15 SL SN 15 SLi
a	230 mm	275 mm	295 mm
b	263 mm	295 mm	316 mm
d	140 mm	200 mm	200 mm
e	303 mm	387 mm	495 mm
h	421 mm	503 mm	601 mm
i	118 mm	116 mm	106 mm



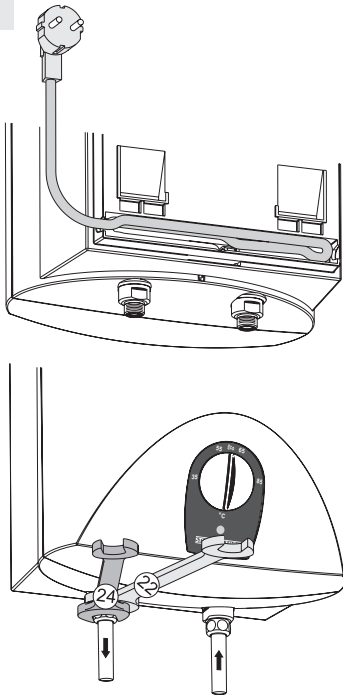
C26_02_06_0045

B



26_02_06_0052

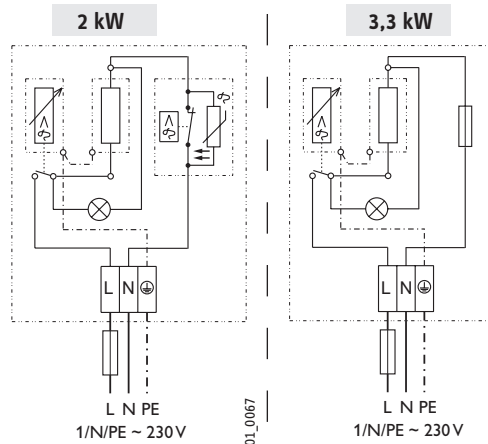
C



26_02_06_0048

26_02_06_0049

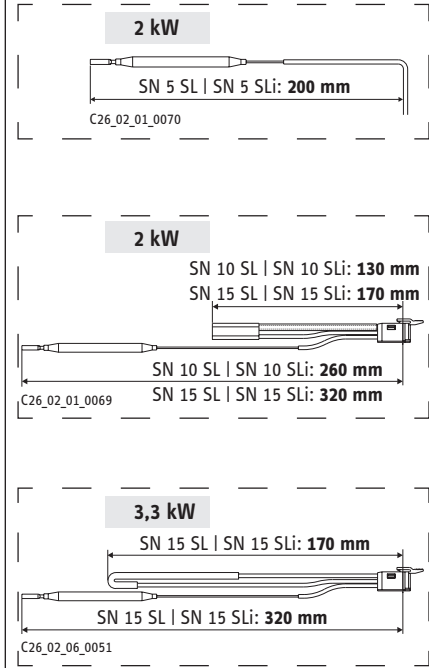
D



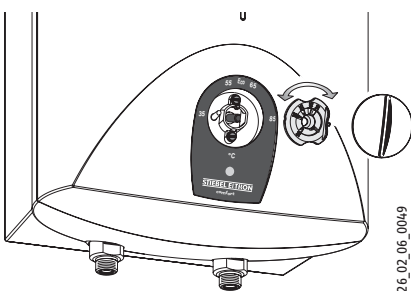
26_02_01_0067

26_02_01_0389

E

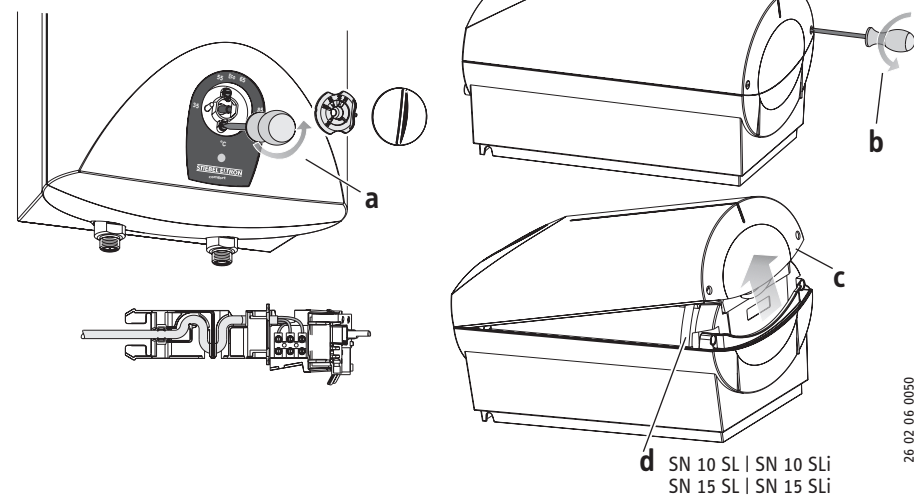


F



26_02_06_0049

G



26_02_06_0050

d SN 10 SL | SN 10 SLi
SN 15 SL | SN 15 SLi



1. Operating Instructions for the user and engineer

1.1 Description of Unit

The open (pressure-less) water heater constantly maintains the water content at the preset temperature.

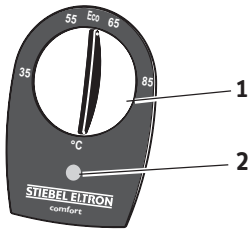
On heating, the expansion water drips through the outlet fitting.

Only fittings for open (pressureless) water heaters may be installed.

We recommend Stiebel Eltron fittings: for order no. see 1.7 "Special accessories".

1.2 The most important points in brief

- Set the desired hot water temperature at the temperature selector (1)
- The unit is heating when the display (2) lights.



C26_02_06_0053

1.3 Operation

Temperature setting

°C = cold. On this setting, the unit, but not the fitting or water pipe, is protected from frost

Eco = recommended energy-saving setting (approx. 60 °C), low limescale formation

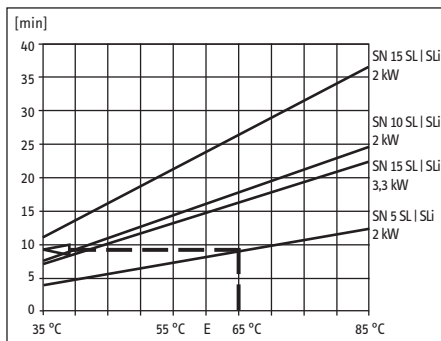
85 = max. temperature setting.

Note:

On request, the engineer can restrict the temperature on the unit (see 2.8 "First Use") so that the temperature can be set anywhere up to the temperature limit.

Heating time:

If the entire water content is used, the heating time is that shown on the diagram.



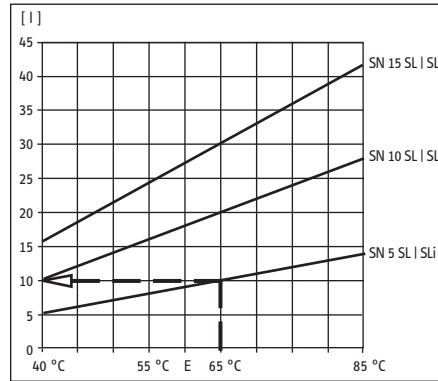
Example SN 5 SL | SN 5 SLi:

Temperature setting: **65 °C**

Heating time: **approx. 9.5 minutes**

Mixed water quantity:

Using the temperature, you set a mixed water quantity for e.g. 40 °C.



Example SN 5 SL | SN 5 SLi:

Temperature setting: **65 °C**

Cold water feed: **15 °C**

Mixed water quantity: **approx. 10 l**

1.4 Important Note



• The water heater must not be pressurized. Never block the fitting outlet and do not use a Perlator or hose with jet controller.

• If the temperature is set higher than 45 °C, very hot water can flow immediately!

• If it is intended that children or people with restricted physical, sensory or mental capabilities are to operate the appliance, they must only be permitted to do so after appropriate instruction has been provided by the person responsible for their safety. Children should be supervised to ensure that they do not play with the device.

Risk of scalding!

• We recommend the use of the temperature restrictor set by the engineer, unless absolutely necessary otherwise.

• 2 kW versions: to avoid danger from accidental resetting of the protective temperature restrictor in the case of a fault, the unit must not be connected via a timer switch.

Limescale can block the outlet and hence pressurize the heater.

Signs of limescale are boiling sounds and reduced water flow. In this case have the unit and fitting descaled by an engineer

On use of a shower fitting (see 1.7 Special Accessories), regular descaling is necessary (removal of limescale from the spray head).

The thermostat knob may only be removed by an engineer.

All information in these Operating and Installation Instructions must be observed. The instructions contain important information for safety, operation and maintenance of the unit.

1.5 Care and Maintenance

To clean the unit, simply wipe with a damp cloth. Do not use abrasive or aggressive cleaning agents.



Maintenance work should only be performed by an engineer.

1.6 What to do if....

...there is no hot water:

Check the thermostat, plug and fuse.

...there is a boiling sound from the unit:

Have the unit and fitting descaled by an engineer.

...see also 3. „Fault repair by the user and engineer”.

If an engineer is called for a problem, to help him resolve this more quickly and efficiently, please give him the information below on the unit rating plate (8):



C26_02_06_0054

1.7 Special accessories

Stiebel Eltron order numbers:

• Two-handle tempering fittings

- sink fitting: **WKM 22 24 34**
- shower fitting: **WDM 22 24 35**

• Single lever mixer fittings

- sink fitting: **MEK 22 24 43**
- shower fitting: **MED 22 24 44**



2. Installation Instructions for the engineer

Installation and electrical connection may only be carried out by an engineer in accordance with these instructions.

2.1 Unit Type **A**

- 1 Temperature selection knob
- 2 Indicator light
- 3 Cold water connection (blue)
- 4 Hot water connection (red)
- 5 Electrical connection line
- 6 Suspension rail
- 7 Electric heating flange
- 8 Rating plate

2.2 Description of Unit

Open (pressureless) water heater for oversink installation, to supply a water tap, for heating cold water to EN 806.

Only fittings for open (pressureless) water heaters may be installed.

We recommend Stiebel Eltron fittings: for order no. see 1.7 "Special accessories".

2.3 Technical Data

Current data on the rating plate.

Type	SN 5 SL SN 5 SLi	SN 10 SL SN 10 SLi	SN 15 SL SN 15 SLi	SN 15 SL SN 15 SLi
Nominal capacity	5 l	10 l	15 l	15 l
Design	open			
Weight	3,0 kg	4,6 kg	5,8 kg	6,1 kg
Heating power	2,0 kW	2,0 kW	2,0 kW	3,3 kW
Voltage	230 V			
Flow rate, max.	5 l/min	10 l/min	12 l/min	
Protection to EN 60529	IP 24 D			
Connection line with plug	ca. 650 mm			
Temperature setting range	ca. 35 °C - 85 °C (fully adjustable)			

Table 1

2.4 Regulations and Conditions

- Perfect function and operating safety can only be guaranteed with the original Stiebel Eltron accessories and spare parts designed for the unit.
- The fitting outlet serves for ventilation. Do not block the outlet connector or fitting swivel arm. **Do not use a perlator or hose with jet regulator.**
- **Electrical connection**
- Plug connection:
 An earthed socket is required. This must be freely accessible after the device has been installed. If country-specific plugs and sockets are used, they must be fitted with an earthing contact and must conform to the individual national standards.
- Fixed connection:
 If the appliance is intended to be connected to the AC mains (appliance connection socket), it must be capable of all-pole disconnection from the mains by

means of a circuit sever of at least 3 mm.
SN 5 SL | SN 5 SLi and SN 10 SL | SN 10 SLi:
 Installation with a direct (fixed) electrical cable is not permitted.

SN 15 SL and SN 15 SLi:

Installation with a fixed connection cable is only permitted in conjunction with the installation kit "Permanent electrical connection" (Stiebel Eltron order no. 22 32 19). Only with this installation kit is protection class IP 24 D retained.

- The conditions of the local electricity supply company and competent water supply authority must be observed.

2.5 Important Notes

If this unit is exposed to water pressure, the container may leak and cause water damage.

2.6 Installation Site **B**

The heater should be installed in a frost-free room, vertically with water connections at the bottom.

The maximum permitted length of connecting pipe from fitting to unit is 1 m. If this is exceeded, an additional pipe ventilator must be installed in the overflow line.

2.7 Unit Installation

- Mount the suspension rail, position using mounting template (5 l unit pages 18-19; 10 and 15 l in pack). Select fixing materials according to the strength of the wall. Excess line length can be stored in the cable holder **C** provided.
- Suspend the unit.
- Fit the water connections **C**, set the flow rate (see 2.3 Technical Data and Description of Unit).

Note on two-handle mixer set:

The **control handles** for the two-handle mixer set are supplied to DIN 44897:
cold water left (blue)
hot water right (red).

2.8 First Use

(By the engineer only!)

- I. Open the hot water fitting or set the one-hand mixer to "warm" until the water emerges free from bubbles.
- II. Connect the electrical plug and select the temperature.

Danger of running dry!
If the sequence is changed, the protective temperature restrictor will trip in.
2 kW: ... in this case, add water and isolate the unit from the power supply briefly.
3,3 kW: ... in this case, replace the thermostat and temperature limiter.

- III. **Temperature setting restrictor **F** :**
 Only if the restricted temperature setting is required is the max. temperature set via the restrictor ring.
- IV. Remove protective film from controls.

Unit hand-over:

Explain to the user how the unit works and how to operate it. Point out any possible dangers (scalding). Give him these Installation and Operating Instructions for safe keeping.

2.9 Service Notes

Before all work, first isolate the unit from the power supply and remove the unit from the wall.

- **Open unit **G** :**
 - a Pull off thermostat and temperature restrictor ring. Remove screw.
 - b Lower locking bolt
 - c Swivel housing cover aside and remove.
 - d For SN 10 SL | SN 10 SLi and SN 15 SL | SN 15 SLi only:
open clamp band (protection against tilting).
- **Replace electrical power line:**

To replace the connecting line use Stiebel Eltron.

2 kW: Order no. 02 06 71, or with an H05VV-F3x1.0 line

3.3 kW: Order no. 02 39 71, or with an H05VV-F3x1.5 line.

Circuit diagram **D**

- **Positioning of thermostat / temperature restrictor sensor in protective pipe:**

When replacing or removing the thermostat / restrictor, insert the sensor in the protective pipe according to **E**; on SN 5 SL and SN 5 SLi, also attach the temperature sensor below the earth plug.

- **Drain unit:**

The unit is drained via the connector.

- **Descaling:**

Remove heating flange, remove coarse scale by careful tapping, immerse heating element in limescale remover up to the flange plate.

- **Checking earth conductor to BGV A3:**

Disconnect the plug and remove the thermostat. Test at the thermostat fixing screw and earth contact of the connection line.

3. Fault Repair for the user and engineer

Fault	Cause	Rectification
No hot water despite hot water fitting being fully open.	No power.	User / Engineer: Check fuses on domestic system.
	Limescale on jet regulator.	User / Engineer: Clean or replace jet regulator on fitting.
	Protective temperature restrictor (STB) has tripped.	Engineer: Eliminate cause of fault (replace thermostat). Note on protective temperature restrictor (STB) / restrictor: 2 kW unit: STB resets automatically when the unit power supply is disconnected 3.3 kW unit: Replace restrictor.
Boiling sound in heater.	Limescale in heater.	Engineer: Descale unit.

Table 2



4. Environment and recycling

Recycling of obsolete appliances



Appliances with this label must not be disposed off with the general refuse. They must be collected separately and disposed off according to local regulations.



5. Guarantee

For guarantees please refer to the respective terms and conditions of supply for your country.



The installation, electrical connection and first operation of this appliance should be carried out by a qualified installer.

The company does not accept liability for failure of any goods supplied which accordance with the manufacturer's instructions.