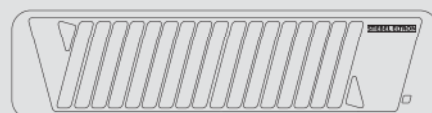


BEDIENUNG UND INSTALLATION  
OPERATION AND INSTALLATION  
UTILISATION ET INSTALLATION  
ЭКСПЛУАТАЦИЯ И МОНТАЖ  
NÁVOD K POUŽÍVÁNÍ A MONTÁŽI

INFRAROT-QUARZSTRAHLER | INFRARED QUARTZ RADIATOR | RADIANT À QUARTZ AUX INFRAROUGES |  
ИНФРАКРАСНЫЙ КВАРЦЕВЫЙ ИЗЛУЧАТЕЛЬ | INFRAČERVENÝ KRYSTALOVÝ ZÁŘIČ

- » IW 120
- » IW 180



**STIEBEL ELTRON**

<b>1. General information</b>	<b>9</b>
1.1 Document information	9
1.2 Key to symbols	9
1.3 Units of measurement	9
<b>OPERATION</b>	<b>9</b>
<b>2. Safety</b>	<b>10</b>
2.1 Intended use	10
2.2 Safety information	10
2.3 CE designation	10
2.4 Test symbols	10
<b>3. Equipment description</b>	<b>11</b>
<b>4. Operation</b>	<b>11</b>
<b>5. Cleaning, care and maintenance</b>	<b>11</b>
<b>6. What to do if...</b>	<b>11</b>
6.1 ... the appliance does not radiate any heat	11
6.2 The type plate	11
<b>INSTALLATION</b>	<b>12</b>
<b>7. Safety</b>	<b>12</b>
7.1 General safety instructions	12
7.2 Instructions, standards and regulations	12
<b>8. Equipment description</b>	<b>12</b>
8.1 Standard delivery	12
<b>9. Installation</b>	<b>12</b>
9.1 Installation information	12
9.2 Installation conditions and preparations	12
9.3 Power supply	12
<b>10. Installation</b>	<b>12</b>
10.1 Installation	12
<b>11. Appliance handover</b>	<b>13</b>
<b>12. Specification</b>	<b>13</b>
12.1 Specification	13
12.2 Minimum clearances	13
<b>CUSTOMER SERVICE AND WARRANTY</b>	<b>14</b>
<b>ENVIRONMENT AND RECYCLING</b>	<b>14</b>

## 1. General information

### 1.1 Document information

The chapter **Operation** is intended for users and contractors.

The chapter **Installation** is intended for heating contractors.



#### Please read

Read these instructions carefully before using the appliance and retain them for future reference. Pass on the instructions, if required, to a new user.

### 1.2 Key to symbols

#### Symbols in this documentation:

In these instructions you will come across symbols and highlights. These have the following meaning:



#### Risk of injury!

Information concerning possible risk of injury.



#### Risk of electrocution!



#### Risk of burning!



#### Fire hazard!



#### Possible damage

Information concerning damage to the appliance, environmental damage or material losses.



#### Note!

Text next to this symbol is particularly important.

» The "»" symbol indicates that you should do something. The action you need to take is described step by step.

### 1.3 Units of measurement

All measurements are given in mm unless otherwise stated.

## 2. Safety

### 2.1 Intended use

The appliance is used for rapid heat radiation indoors.

Any other use beyond that described shall be deemed inappropriate. Observation of these instructions is also part of the correct use of this appliance. Any modifications or conversions to the appliance void all warranty rights.

### 2.2 Safety information



#### Risk of injury!

Never use the appliance as a heater for a baby or nappy changing table.



#### Risk of burning!

Never touch the appliance while it is in use. During operation, the appliance surface becomes hotter than 80 °C. The grille also remains hot after the appliance is switched off.



#### Risk of burning!

Where children or persons with limited physical, sensory or mental capabilities are to be allowed to control this appliance, ensure that this will only happen under supervision or after appropriate instructions by a person responsible for their safety. Children must be supervised to ensure that they do not play with the appliance.



#### Fire hazard!

Never place the appliance in areas used for industrial purposes or where there is a risk of fire.



#### Fire hazard!

Never operate this appliance...

... in rooms where the appliance is at risk of fire or explosion as a result of chemicals, dust, gases or vapours.

... in the direct proximity of pipes or receptacles that carry or contain flammable or explosive materials.

... if work such as laying cables, grinding or sealing is carried out in the installation room.

... if sprays, floor polish or similar products containing napsan are used.



#### Fire hazard!

Observe the minimum clearances. For this, see the chapter Specification.



#### Fire hazard!

Never place any objects on top of the appliance. Never lean any objects against it or place any objects between the appliance and the wall. Never place any flammable, combustible or insulating objects or materials, such as laundry, blankets, magazines, containers with floor polish or napsan, spray cans or similar, in direct proximity of the appliance.



#### Note!

Never place or wind the power cable or the pull cord around the appliance.



#### Risk of electrocution!

Never insert any object into any aperture in the appliance. This can lead to fatal electric shocks and/or fires.



#### Note!

Never touch the quartz tubes with your fingers.

### 2.3 CE designation

The CE designation shows that the appliance meets all essential requirements according to the:

- Electromagnetic Compatibility Directive (Council Directive 89/336/EEC)
- Low Voltage Directive (Council Directive 73/23/EEC)

### 2.4 Test symbols

See type plate.

### 3. Equipment description

The appliance only warms the air slightly. It is only when it hits objects or the human body that the IR radiation is converted into heat. You will feel the heat after just a few seconds. The appliance therefore provides energy-saving heat, which is available quickly and on demand at any time.

### 4. Operation

When the indicator shows stage 0, the appliance is off.

» To start the appliance, pull the cord down vertically.

The indicator then switches from "0" to "1". You can select two other heating stages. To do this, pull the cord again for each stage.

» To switch the appliance off, keep pulling the cord down until the indicator shows "0" again.

### 5. Cleaning, care and maintenance



**Note!**

**Never spray the appliance with water.**

» Before cleaning, switch off the appliance and leave it to cool down.

» A damp cloth is sufficient for cleaning the casing. Never use abrasive or corrosive cleaning agents! Go over with a soft cloth.

If the reflector is extremely dirty, arrange for it to be cleaned by a heating contractor to retain the full heat radiation of the appliance.

### 6. What to do if...

#### 6.1 ... the appliance does not radiate any heat

– Keep pulling the cord until you get to stage 0. Then start the appliance (see chapter Operation).

– Check whether the fuses/MCBs have blown/tripped or are faulty.

If you cannot remedy the fault, contact your local contractor. To speed your call for assistance, provide the number on the type plate (no. XXXXXX-XXXX-XXXXXX):

#### 6.2 The type plate

The type plate is located on the back of the appliance, on the inside of the mounting panel.

## 7. Safety

Only qualified contractors should carry out installation, commissioning, maintenance and repair of the appliance.

### 7.1 General safety instructions

We guarantee trouble-free function and operational reliability only if the original accessories and spare parts intended for the appliance are used.

### 7.2 Instructions, standards and regulations



**Note!**

Observe all applicable national and regional regulations and instructions.



**Note!**

When installing the appliance in rooms with a bath and/or shower, take the relevant safety zone into account in accordance with the information on the appliance type plate.

## 8. Equipment description

### 8.1 Standard delivery

- Screws
- Rawl plugs
- Cable entry
- Cap (2x)

## 9. Installation

### 9.1 Installation information

- Wood ceilings may become hot even if the minimum clearances are observed. Dark spots or fine shrinkage cracks on wooden ceilings therefore cannot be ruled out.
- Never install the appliance directly below a socket.

### 9.2 Installation conditions and preparations

- Only install the appliance in a fixed position, horizontally on the wall. Never install the appliance on the ceiling.
- Install the appliance with the pull cord at the bottom. The appliance can only be pivoted downwards.
- Always maintain the specified minimum clearances. Install the appliance so that the pull cord cannot be reached from the shower or the bath.



**Injury warning!**

Install the appliance out of the reach of children.

### Power cable

#### Below plaster:

The connection must be in the area of the mounting panel.

#### Above plaster:

- » Feed the electrical power cable into the mounting panel via the cable grommet.

If installation conduit projects 3.5 to 4 cm into the mounting panel, the cable grommet is not required.

### 9.3 Power supply

- » Observe the minimum size of the power cable, which can be found in the chapter Specification.



**Risk of electrocution!**

Make the connection to the mains power supply only as a permanent connection (the appliance has no strain relief). The appliance must be able to be separated from the mains power supply by an isolator that disconnects all poles with at least 3 mm contact separation.

Ensure that the appliance can be earthed!



**Note!**

Observe the type plate. The specified voltage must match the mains voltage.

## 10. Installation

### 10.1 Installation

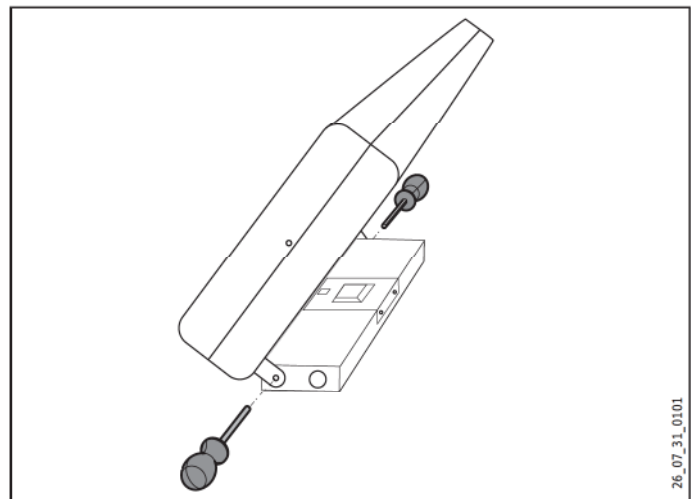


**Risk of electrocution!**

Carry out all electrical connection and installation work in accordance with relevant regulations.

#### 10.1.1 Appliance installation

- » Remove the polystyrene inserted into the grille as transport protection.

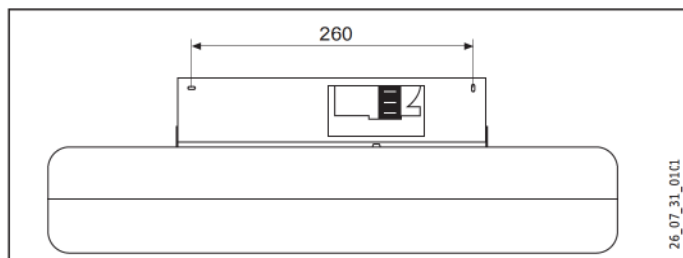


- » Undo both screws on the pivot hinge of the mounting panel.

# INSTALLATION

## APPLIANCE HANDOVER

- » Undo the two screws on the panel cover above the terminals and remove the cover. This releases the pivot limiter and you can then tilt the appliance forwards.



- » Mark the fixing holes on the wall.
- » Drill the holes and then insert rawl plugs.
- » Secure the appliance to the wall using the screws supplied or other suitable fixing material.
- » If you have installed the power cable on a finished wall, insert the cable grommet into the circular panel hole on the connection side. Route the power cable through the cable grommet.
- » Insert the cap into the opposite circular panel hole, or into both panel holes if you have installed the power cable on an unfinished wall.
- » Connect the cable to the free terminals on the appliance.



### Note!

Ensure that you do not strip too much of the power cable to prevent any wires from touching the screws.

- » Pivot the appliance upwards. Refit and secure the panel cover. This protects the connection space and limits the pivoting range to approx. 30°.
- » Adjust the tilt angle as appropriate and secure the pivoting mechanism by tightening both screws previously undone.



### Note!

Ensure that the appliance does not touch the power cable after installation and assembly.

## 11. Appliance handover

Explain the functions of the appliance to the user. Draw special attention to the safety information. Hand the operating and installation instructions to the user.

## 12. Specification

### 12.1 Specification

Model		
Type	IW 120	IW 180
Part number	229339	229340

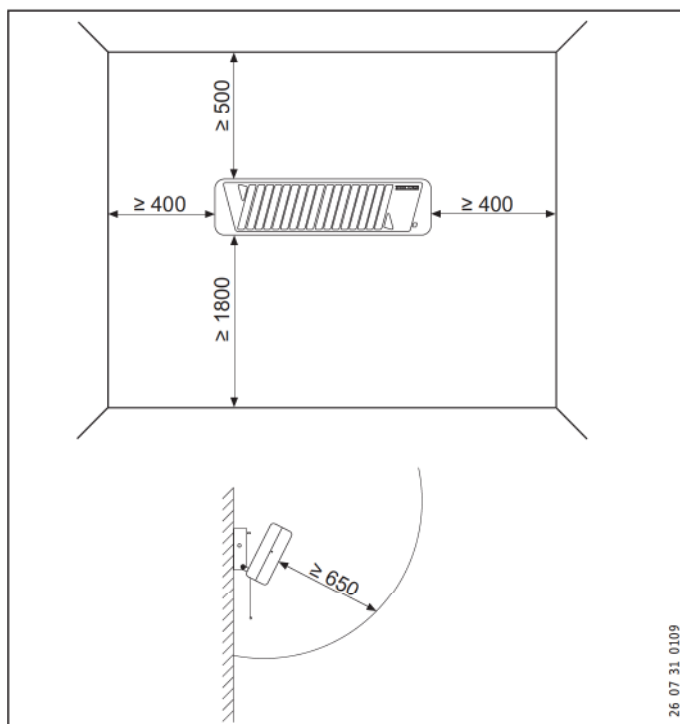
### Operating details

Rated output	W	1200	1800
Connection		230 V 1/N/PE ~ 50 Hz	230 V 1/N/PE ~ 50 Hz
heating stage 0		Appliance off	Appliance off
heating stage 1	W	400	600
heating stage 2	W	800	1200
heating stage 3	W	1200	1800
Protection class to EN 60335		1	1
Protection		IP X4	IP X4

### Dimensions and weights

Dimensions H x W x D	mm	145 x 535 x 85	145 x 535 x 85
Weight	kg	1.55	1.55
Pivoting range	°	30	30
Connecting cable	≥ mm <sup>2</sup>	1.0	1.0

### 12.2 Minimum clearances



---

# INTERNATIONAL GUARANTEE

---

## Guarantee

For guarantees please refer to the respective terms and conditions of supply for your country.



**The installation, electrical connection and first operation of this appliance should be carried out by a qualified installer.**



**The company does not accept liability for failure of any goods supplied which have not been installed and operated in accordance with the manufacturer's instructions.**

## Environment and recycling

Please help us to protect the environment by disposing of the packaging in accordance with the national regulations for waste processing.